

# Specifications

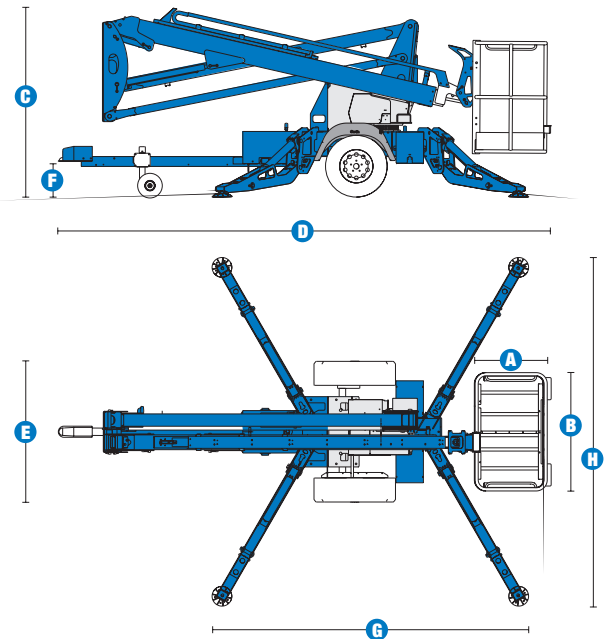
| MODEL                                 |  | TZ™-34/20    |         |
|---------------------------------------|--|--------------|---------|
| MEASUREMENTS                          |  | US           | Metric  |
| Working height*                       |  | 40 ft        | 12.36 m |
| Platform height                       |  | 34 ft        | 10.36 m |
| Entry height - extended               |  | 6.4 in       | .16 m   |
| Horizontal reach                      |  | 18 ft 4 in   | 5.59 m  |
| Clear out reach                       |  | 13 ft 5 in   | 4.09 m  |
| Up and over clearance                 |  | 16 ft 1 in   | 4.90 m  |
| <b>A</b> Platform length              |  | 2 ft 2.8 in  | .68 m   |
| <b>B</b> Platform width               |  | 3 ft 8 in    | 1.12 m  |
| <b>C</b> Height - stowed              |  | 6 ft 4.5 in  | 1.94 m  |
| <b>D</b> Length - stowed              |  | 18 ft .5 in  | 5.50 m  |
| <b>E</b> Width - stowed               |  | 4 ft 9.1 in  | 1.45 m  |
| <b>F</b> Ground clearance             |  | 9.5 in       | .24 m   |
| <b>G</b> Length - outrigger footprint |  | 10 ft 8.4 in | 3.26 m  |
| <b>H</b> Width - outrigger footprint  |  | 11 ft 9.4 in | 3.59 m  |

| PRODUCTIVITY                                  |                                       |         |
|---|---------------------------------------|---------|
| Lift capacity (ANSI, CSA) - standard          | 500 lbs                               | 227 kg  |
| Lift capacity (ANSI, CSA) - rotating platform | 460 lbs                               | 209 kg  |
| Lift capacity (CE/AUS) - standard             | 440 lbs                               | 200 kg  |
| Lift capacity (CE/AUS) - rotating platform    | 400 lbs                               | 181 kg  |
| Self leveling platform                        | standard                              |         |
| Platform rotation option                      | 90° mechanical                        |         |
| AC power to platform                          | standard                              |         |
| Turntable rotation                            | 359° non-continuous                   |         |
| Outrigger leveling capability                 | 11°                                   |         |
| Towing speed rate                             | 60 mph                                | 97 km/h |
| Tongue weight - ANSI, CSA                     | 315 lbs                               | 143 kg  |
| Tongue weight - CE                            | 163 lbs                               | 74 kg   |
| Surge and parking brakes                      | standard                              |         |
| Controls                                      | variable speed system                 |         |
| Tire size                                     | ST 205/75 R15                         |         |
| Coupler                                       | 2 in (5.08 cm) hitch coupler standard |         |

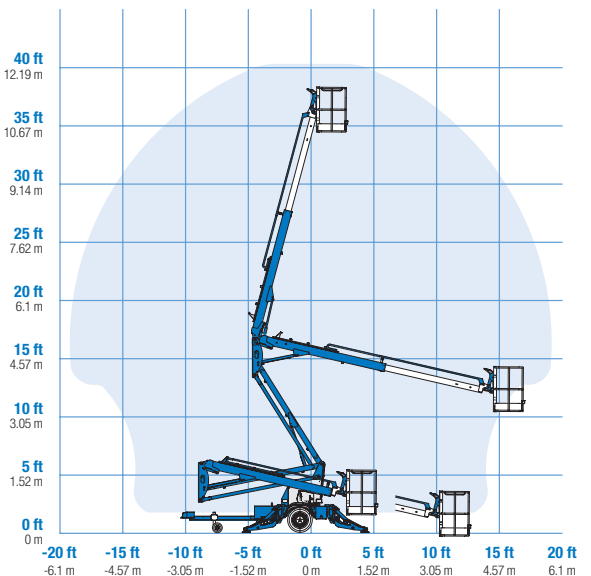
| POWER                     |                                  |         |
|---------------------------|----------------------------------|---------|
| Power source              | 24V DC (four 6V 225Ah batteries) |         |
| Hydraulic tank capacity   | 3.85 gal                         | 14.57 L |
| Hydraulic system capacity | 4.5 gal                          | 17 L    |

| WEIGHT**             |           |          |
|----------------------|-----------|----------|
| ANSI, CSA, Australia | 3,155 lbs | 1,431 kg |
| CE                   | 3,170 lbs | 1,438 kg |

**STANDARDS COMPLIANCE** ANSI A92.2, CSA C225, CE Compliance, AS 1418.10



## RANGE OF MOTION TZ™-34/20



\* The metric equivalent of working height adds 2 m to platform height. U.S. adds 6 ft to platform height.  
\*\* Weight will vary depending on options and/or country standards.

## Features

### EASILY CONFIGURED TO MEET YOUR NEEDS

#### PLATFORM OPTIONS

- Aluminum 26.8 x 44 in (.68 x 1.12 m)
- Platform overload system (CE)
- 90° mechanical platform rotation

#### POWER

- 24V DC power source

#### COUPLER OPTIONS

Combination hitch

- 2 in (5.08 cm) ball coupler
- 2.31 in (5.87 cm) ball coupler
- 2.5 in (6.53 cm) I.D. pintle ring coupler
- Clevis coupler

#### TIRE OPTIONS

- ST 205/75 R15 tires (ANSI, CSA)
- 185 R14C tires (CE)

### STANDARD FEATURES

#### MEASUREMENTS

- 40 ft (12.36 m) working height
- 18 ft 4 in (5.59 m) horizontal reach
- Up to 500 lb (227 kg) lift capacity

#### PRODUCTIVITY

- Industry leading working envelope
- Extension boom
- Self-leveling platform
- Variable speed control system
- AC wiring to platform
- Hydraulic outriggers
- Automatic 11° leveling system
- Outrigger interlocks
- Mechanical parking brake
- Hydraulic surge brakes
- Auxiliary pump down
- 2 in (5.08 cm) coupler lever lock
- Hitch pull bar
- Combination hitch with coupler lever lock
- Dual jockey wheels
- 359° non-continuous turntable rotation
- Easy to access batteries
- Hour meter
- Tilt alarm / sensor
- Forklift pockets
- Illuminated outrigger indicators

#### POWER

- 24V DC power source (four 6V 225 Ah batteries)



### OPTIONS & ACCESSORIES

#### PRODUCTIVITY

- Platform overload system (CE)
- 90° mechanical platform rotation
- 2 in (5.08 cm) ball coupler
- 2.31 in (5.87 cm) ball coupler
- 2.5 in (6.53 cm) I.D. pintle ring coupler
- Combination hitch
- Clevis coupler
- Wheel chocks
- Fluorescent tube caddy
- Full size spare tire
- Operational warning beacon package
- Non-marking outrigger footpads
- Battery charge indicator (BCI)
- Tool tray
- Bicycle guard (CE)

### Genie United States

18340 NE 76th Street  
P.O. Box 97030  
Redmond, Washington 98073-9730

Telephone **+1 (425) 881-1800**  
Toll Free in USA/Canada **+1 (800)-536-1800**  
Fax +1 (425) 883-3475

### Genie Europe

Millennium House  
Brunel Drive  
Newark NG24 2DE  
UK

Telephone **+44 (0)1476 584333**  
Fax +44 (0)1476 584334

Email: [infoeurope@genieind.com](mailto:infoeurope@genieind.com)

### Distributed By:

Effective Date: January, 2008. Product specifications and prices are subject to change without notice or obligation. The photographs and/or drawings in this document are for illustrative purposes only. Refer to the appropriate Operator's Manual for instructions on the proper use of this equipment. Failure to follow the appropriate Operator's Manual when using our equipment or to otherwise act irresponsibly may result in serious injury or death. The only warranty applicable to our equipment is the standard written warranty applicable to the particular product and sale and we make no other warranty, express or implied. Products and services listed may be trademarks, service marks or trade-names of Terex Corporation, Genie Industries, Inc. and/or their subsidiaries in the U.S.A. and many other countries and all rights are reserved. Terex® is a Registered Trademark of Terex Corporation in the U.S.A. and many other countries. Genie® is a Registered Trademark of Genie Industries, Inc. in the U.S.A. and many other countries. Genie is a Terex Company. © 2008 Terex Corporation.